



**ELECTRIC HEATING DEVICE
FOR BATHS AND SAUNAS**

**AUTONOMOUS
ELECTRIC BROOM
STEAMER
"PAREN"**



Electric power 1.5 kW

MANUAL

ATTENTION!



Read this manual carefully before installing and operating your electric broom steamer

This operating manual is a document containing design information, specifications and instructions for correct installation, connection, safe operation, maintenance, transport and storage of the electric steamer.

Due to the constant improvement of the design of the steamer manufacturing technology, in this Operation Manual, there may be separate discrepancies between the steamer device and its description, which do not affect its performance and do not worsen its technical characteristics.

- 1. Description and work device5**
 - 1.1 Intended use 5
 - 1.2 Specifications5
 - 1.3 Composition7
 - 1.4 Device and operation of the product..... 7
 - 1.5 Instrumentation..... 9
 - 1.6 Marking and sealing..... 9
 - 1.7 Packaging..... 9
- 2. USE OF THE PRODUCT 11**
 - 2.1 Preparation for use.....11
 - 2.2 Security measures.....11
 - 2.3 Electrical connection. Preparation for work.....12
 - 2.4 Operation of the product..... 12
 - 2.5 Security measures..... 12
 - 2.6 Operating procedure 13
 - 2.7 Action in extreme conditions..... 14
 - 2.8 Possible malfunctions and their elimination..... 14
- 3. MAINTENANCE 15**
- 4. STORAGE AND TRANSPORTATION 15**
- 5. RECYCLING 16**
- 6. WARRANTY OBLIGATIONS 16**
- 7. WARRANTY CARD 18**

Steamer for brooms, designed for high-quality steaming and subsequent storage in a steamed state of standard deciduous and coniferous bath brooms in an atmosphere of saturated steam.

Professional bathers and even sauna lovers know and understand very well that a broom steamed in water, especially hot, becomes heavy and sticky. A lot of useful phytoncides, essential oils and other useful microelements are soaked from it. A broom steamed in an atmosphere of gentle saturated steam not only does not lose these elements, but also becomes soft, light and, as the bathers say, “silk”. Steaming sessions with such a broom are undoubtedly both useful and pleasant.

1. DESCRIPTION AND OPERATION OF THE PRODUCT

1.1 Purpose

1.1.1 The steamer for brooms PAREN", hereinafter - the Product, is intended for high-quality steaming and subsequent storage in a steamed state of standard deciduous and coniferous bath brooms in an atmosphere of saturated steam. "PAREN" can be successfully used both as a fragrance device when placing phyto-steam material in it, and as an air humidifier in a dry microclimate in a steam room.

1.2 Specifications

Name	Unit of.	Norms, parameters
Rated power consumption	kW	0-1.5
Recommended number of brooms to be steamed at the same time	PCS.	1-4
Recommended rated current of the circuit breaker	A	10
Cross-section of power and grounding wires	mm ²	1.5
Productivity (by water consumption)	l / hour	0-3
Water tank volume	l	6
Overall dimensions (Width, Depth, Height)	mm	355x332x740
Weight	Kg	16
Supply voltage	B	220
Current type		variable
Working hours		Long lasting
Electric shock protection class		01
Protection degrees		IPX4
Installation method		Wall and floor



Figure: 1. Appearance of the steamer

1.3 Composition

№ em №	Name	Unit	Quantity
1	Steamer for broom "PAREN"	PCS	1
2	Manual	PCS	1
3	Packing container	PCS	1

1.4 Design and operation of the product

1.4.1 The appearance and design of the product are shown in Fig. 1 and 2.

1.4.2 The product consists of two functional blocks:

- Tank for boiling water (item 1, fig. 2).
- Container for brooms (pos. 2, fig. 2).

1.4.3 Product specification.

1.4.4 In the lower part of the Product there is a stainless steel tank (pos. 1, fig. 2) with a heating element installed in it (pos. 4, fig. 2). Above the tank there is a container for brooms (item 2, fig. 2) made of stainless steel and lined with wooden slats (item 6, fig. 2). The water tank and the broom container are separated by a perforated grid. The broom container is closed with a lid (pos. 7, fig. 2).

1.4.5 On the front side of the Product there is a control panel with an indicator and buttons (pos. 3, fig. 2). The indicator shows in percentage display from 220 V the value of voltage supplied to the heating element installed in the water tank of the steam generator and serving to heat the water. The buttons below the indicator allow adjusting the power level of the water.

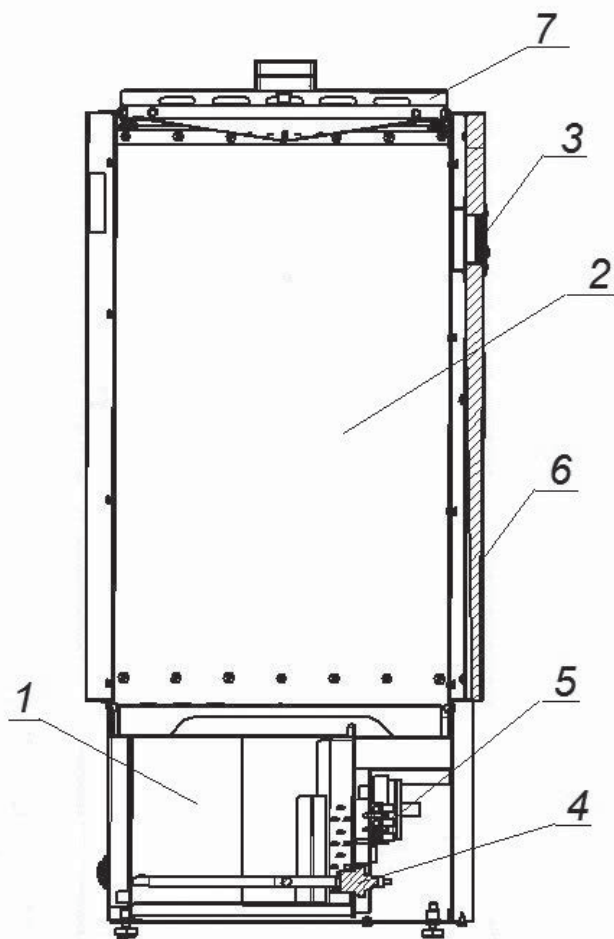


Figure: 2. External view of the steamer in section

heating element from 0% to 100%. The water heating control unit (pos. 5, fig. 2) and terminals for electrical connection are located behind the front decorative panel of the base.

1.4.5 Wiring diagram for connecting the steamer in fig. 3.

1.5. Instrumentation

1.5.1. Steam generation is monitored and controlled using a display panel.

1.6. Marking and sealing

1.6.1. The marking is applied to the nameplate located on the body of the Product.

1.6.2. The marking complies with the requirements of Article 5 of TR CU 004/2011 and contains the following data:

- conventional designation (type) of the product,
- trademark or name of the manufacturer,
factory number,
- device power in kilowatts,
- rated voltage of the supply network in volts,
- weight of the device in kilograms,
- year of manufacture,
- country of manufacture,
- designation of technical conditions,
- product sealing is not provided

1.7. Packaging

- The product is packed in corrugated cardboard boxes.
- Packaging and preservation of the product comply with the requirements of Section 3 of GOST 23216 for conditions of transportation, storage and shelf life.

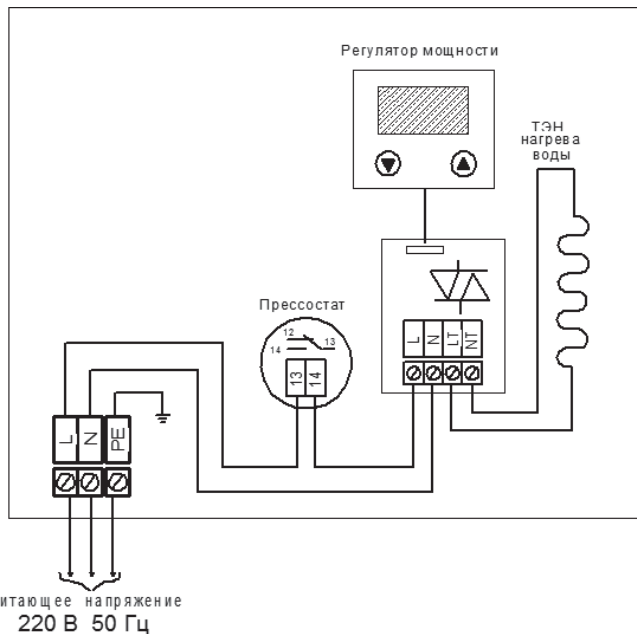


Figure: 3. Wiring diagram of the steamer connection

2. USE OF THE PRODUCT

2.1 Preparation for use

2.1.1 Safety measures

- For the purpose of strict observance of the rules of fire and electrical safety, the connection of the Product must be carried out by electrotechnical personnel who have permission to work with electrical installations up to 1000V and at least III qualification group for electrical safety.

- Electrical wiring must be performed in accordance with the rules for power equipment installation and safety rules.

- Acceptance of the Product into operation must be carried out with the registration of an appropriate act.

- It is forbidden to install the Product in the rooms that do not meet the fire safety requirements stipulated in: Decree of the Government of the Russian Federation of April 25, 2012 No.

No. 390, SP 60.13330.2016, SP 7.13130.2013.

- The cross-section of the cable cores used to connect the Product to the

electrical network must be at least as specified in Section 1.2 of this Manual. The ends of the cable cores connected to the steamer must be equipped with special ferrules.

- Do not use the Product without a circuit breaker. To connect the product, provide a circuit breaker with a rated operating current corresponding to the power consumed by the product. The circuit breaker must be differential with a rated value of the residual current of 30 mA, or a residual current device (RCD) with the specified rated value of the tripping differential current. Connection of other consumers to the circuit breaker is prohibited.

- The product must be reliably grounded.

- Before turning on the Product, make sure that there are no foreign objects on the lid.

- Operation of the Product is performed only in an upright position.

2.1.2. Electrical connection. Preparation for work.

- Open the container, check the completeness, and remove the protective and packing materials.

- Remove the front panel of the base; pass the electrical cable for connection through the cable entry on the rear side of the Product through the technical gap in the casing between the tank and the outer wall. Connect the Product to the electrical power system in accordance with this Operation Manual and the electrical diagram (Fig. 3). Install the decorative front panel of the base.

- Place the steamer on the floor or fasten it to the wall in the bath or sauna room.

2.2. Operation of the product

2.2.1. Security measures

- The product belongs to electrical installations, therefore, during operation it is necessary to comply with all norms and rules of the current documentation on safety and fire safety of electrical installations.
- use of the Product by children and people with limited physical, motor and mental capabilities, as well as people who do not have enough experience or knowledge to use it, is not allowed, or can be allowed only under supervision.
- Do not cover the product with any objects.
- Do not use the product if it is damaged (foreign smell, smoke, fire, etc.).
- Do not use solvents as a cleaning agent for the product maintenance.
- In the event of a malfunction, immediately disconnect the Product using the input automatic circuit breaker. Take measures for its qualified repair.
- It is forbidden to leave water in the tank of the inoperative product at negative temperatures.

2.2.2. Operating procedure

- Remove the cover. Make sure the steamer is clean. Close the drain plug on the drainage hose.

Pour 6 litres of water into the tank, but not more than 7 litres. Excess water will flow out onto the floor behind the steamer.

- Place brooms (1-4 pieces) on the wire rack. Close the cover. Turn on the steamer. Set the steam intensity to 100% on the display module using the buttons 'UP' and 'DOWN' (preparation mode).
- When boiling water in a steamer (20-25 minutes), reduce the intensity of vaporization (boiling) to 40% sufficient for quiet boiling of water (Steaming mode). Adjust empirically.

- When the brooms are ready (1.5-2 hours), reduce the intensity of steam generation to 35% (Use mode). Adjust empirically.
- When water boils below the minimum level required for operation, the display goes out and the heating element turns off. To continue working, you must remove the lid and add water until the display turns on (about 2 litres).
 - At the end of the procedure, remove brooms and fallen leaves from the steamer grill. Drain the water through the drain pipe. Take out the wire rack. Prepare the steamer for the next session. Leave the infuser open

2.2.3. Action in extreme conditions

- In the event of a threat to human life or a threat of fire, regardless of the reasons for their occurrence, you should:
- immediately turn off the product by means of an external circuit breaker VA;
- evacuate people from the premises where the product is located;
- call the fire service and, if necessary, the ambulance service;
- take measures against the spread of fire.

2.2.4. Possible malfunctions and their elimination

External signs of malfunction	Probable cause	Elimination methods
The steamer is on, but the display does not light up.	There is no voltage in the electrical network.	Check the operation of the network.
The steamer is on, but the display does not light up.	The water level in the tank is below the required level.	Add water.

3. MAINTENANCE

3.1. When servicing the product, the following types of work should be performed:

- Cleaning the outer surface of the product - regularly, as it gets dirty;
- Descaling the tank - periodically after 5-10 sessions. Follow the instructions and safety rules provided by the manufacturer of the descaling agent and the manufacturer of the Product.
- Checking the condition of the grounding circuit and the reliability of power contacts at EGPP and PU - 2 times a year;
- All work on cleaning, repairing the product should be carried out only when it is disconnected from the mains.
- Maintenance of the product in accordance with clause 3.1.3 must be performed by electrical personnel who have permission to work with electrical installations up to 1000 V.

4. STORAGE AND TRANSPORTATION

- The product must be stored in its packaging until it is installed on site.
- Transportation of the packaged product is made by any type of closed transport. During transportation and storage, attention should be paid to the precautionary signs applied to the container.

5. RECYCLING

- The product must not be disposed of with household waste.
- The product must be disposed of at an appropriate collection point for the recycling of waste electrical and electronic equipment.
- For more information, contact your local authority or the nearest collection point.

6. WARRANTY OBLIGATIONS

The product fully complies with the requirements of the Technical Regulations of the Customs Union TR CU 004 \ 2011 "On the safety of low-voltage equipment", TR CU 020 \ 2011 "Electromagnetic compatibility of technical equipment", Directive 2014/35 / EU "Low voltage equipment", Directive 2014/30 / EU "Electromagnetic compatibility", GOST 30345.0-95 "Safety of household and similar electrical appliances" and TU 27.51.24-020 -51036005-2020.

- The manufacturer guarantees uninterrupted operation of the product for 12 months from the date of sale, provided that the Consumer observes the rules of this Manual.
- The warranty is valid if the date of purchase of the product is confirmed by the seal and signature of the seller on the Manufacturer's warranty card and the presence of the original sales receipt or contract with the specified date of purchase.
- The warranty does not apply to products used for commercial purposes.

- Warranty repair is not performed in the following cases:
 - ❑ expiration of the warranty period;
 - ❑ self-repairs of the product;
 - ❑ if the product is damaged due to the fault of the Consumer;
 - ❑ in case of violation of the rules of storage and transportation of the product.

ATTENTION!



The manufacturer is not responsible for the consequences arising from violation of the rules for installation, connection and operation of the product set forth in this manual.

7. WARRANTY CARD

Mark of the compliance of the steamer for brooms "PAREN" with the requirements of TU 27.51.24-020-51036005-2020

Date of manufacture: QC stamp

Stamp, address and telephone number of the seller's company

.....

.....

Date of sale:

Warranty service is carried out at:

4E Fabrichny proezd, Klimovsk
district, Podolsk, Moscow region,
142180, Russian Federation

Multichannel phone:

+7 495 411-99-08

e-mail: sales@vvd.su

<http://www.vvd.su>



This document is protected by copyright law. Reproduction of the contents of this document, in whole or in part, without prior notice and permission from the manufacturer is prohibited.



**VVD Company is the leading Russian producer
of boilers and smoke conduits
for baths and saunas**

vvd.su

WE RECOMMEND!

8(800)234-99-08

